



PROBABLY  
**THE MOST  
POWERFUL**  
IN THE  
**WORLD**

2  
INJECTION  
LINES

ANTI-  
BACTERIA  
MICROBAN®

ULTRA-FAST  
DRYING  
6 SECONDS



**01305.W**

Maximum hygiene hand dryer

<b>CASING</b>	<b>DIMENSIONS</b>
ABS	617 x 300 x 195 mm
<b>POWER</b>	<b>WEIGHT</b>
1760 W	9,55 Kg

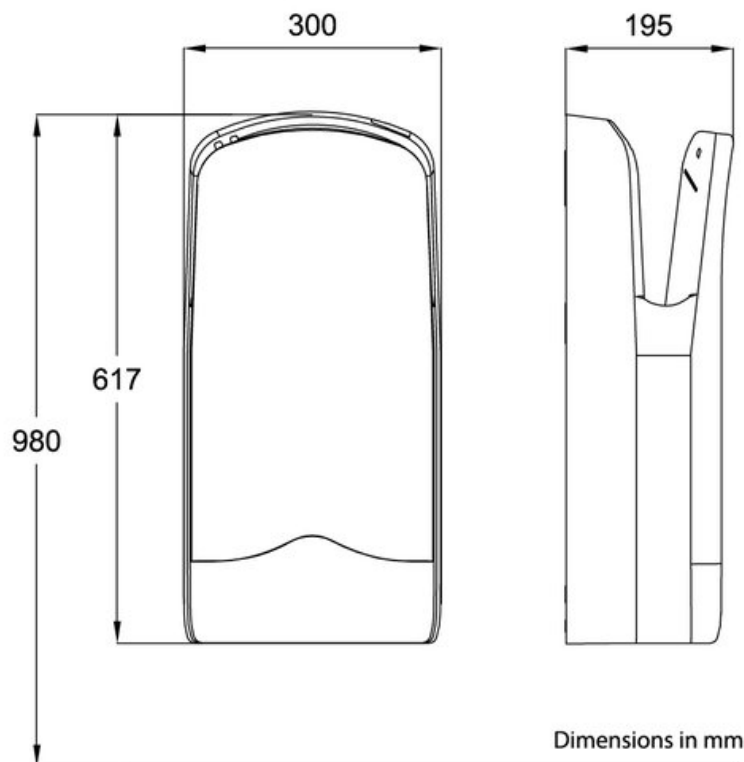
**OPERATION**

Automatic start when the user inserts hands in the drying area.

Ultra-fast drying system by high speed air currents. Mode of use: insert hands into the drying area, moving them up and down.

**OPTIONALLY AVAILABLE**

HEPA filter, ZeroSmell, ZeroSmell gel CK1 and Ion Shield



Dimensions in mm

