



NOFER[®]

2018

NYLON SERIES

Anticorrosive aluminium inner core with antibacterial Nylon coating.

Made of aluminium core with Stainless steel wall brackets and 4mm thick Nylon coating which gives the bar high resistance and durability. This is essential for the good maintenance of the external and internal parts of the grab bar.

The Nylon coating is produced from powder format polymers enriched with highly effective bactericidal additives, added during the forming process.

Proven bactericidal effectiveness against the more threatening bacteria in hospitals and medical centres such as: *Escherichia coli*, *Salmonella enteritidis*, *Staphylococcus aureus* and *Listeria monocytogenes*. The 99.9% reduction within the following 24 hours, being reduced to less than the 5% at the first 2 hours.

There is a full range counting with all the typologies that you may need: straight bars, angled bars, swing-up bars, reinforced, with floor supports, for shower, shower seats, handles, etc.

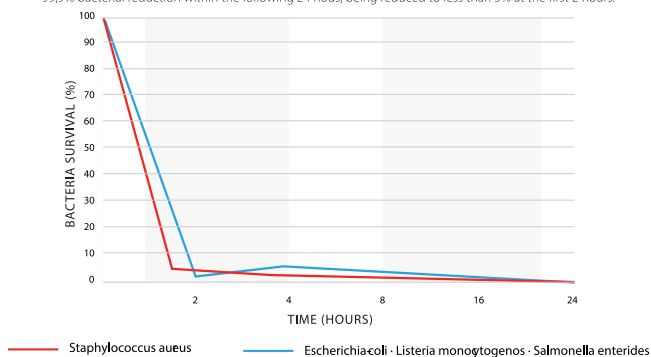
Non-conductive material: no earth grounding means required.

Comfortable touch non-slip

Fixing materials included.

The bactericidal properties and the soft and warm finish make the new NOFER Nylon Series the best choice for the healthcare and hospital environment.

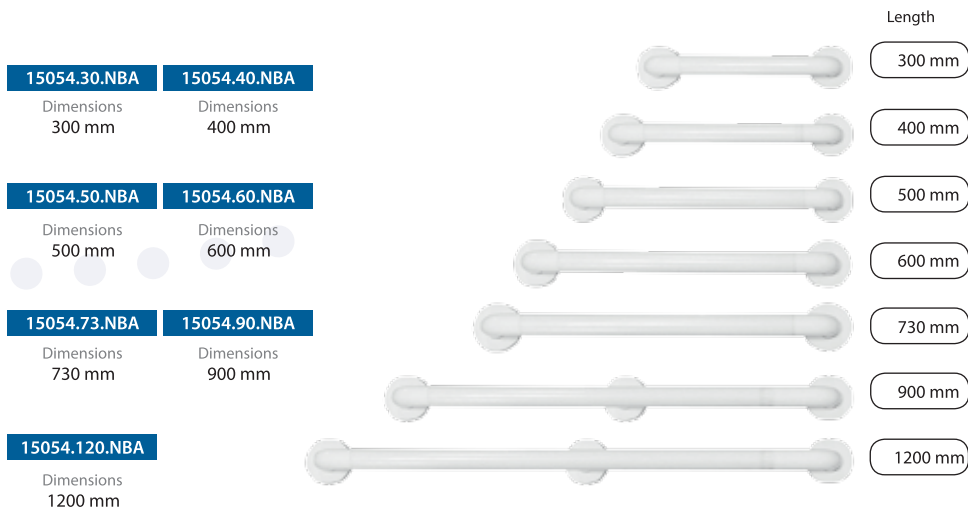
99,9% bacterial reduction within the following 24 hours, being reduced to less than 5% at the first 2 hours.



Straight grab bars

Straight grab bars made of Aluminium with antibacterial Nylon coating.
Stainless steel fixing points with Nylon flange covers.

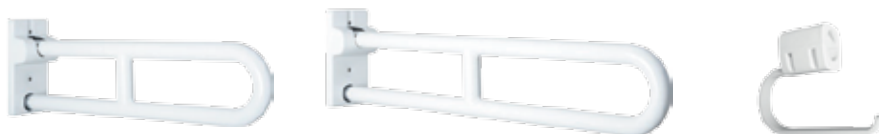
Finish
White



Swing-up grab bar

Antibacterial Nylon coated steel swing-up grab bar.
AISI 304 Stainless steel wall support with antibacterial Nylon flange cover.

Finish
White



15051.60.NBA
Dimensions
600 mm

15051.80.NBA
Dimensions
800 mm

15051.NBA
Nylon toilet paper holder for
swing-up grab bar

Grab
BARS

nylon 
BY NOFER

 **GIAMPIERI** dal 1925
rubinetterie milano

Material
Antibacterial Nylon
coated Aluminium.
AISI 304 Stainless
steel wall supports
with Nylon flange
covers

Finish
WHITE (W)

Bar diameter
34 mm

Angled grab bars



15158.NBA

Dimensions
700 x 400 mm



15159.NBA

Dimensions
700 x 400 mm



15060.NBA

Dimensions
600 x 600 mm



15052.NBA

Dimensions
700 x 700 mm



15158.120.70.NBA

Dimensions
1200 x 700 mm



15159.120.70.NBA

Dimensions
1200 x 700 mm



15049.NBA

Dimensions
800 x 700 x 700 mm



15050.NBA

Dimensions
800 x 700 x 700 mm



15209.NBA

Nylon shower head support for bars
Ø 34 mm



15206.NBA

Swing-up grab bar with floor adjustable foot

Dimensions
Length 800 mm



15064.NBA

Swing-up grab bar with floor anchoring

Dimensionstotales
793 x 150 x 860 mm
Altura de apoyo
750 mm



15203.NBA

Wall-floor grab bar with double floor support. Reversible position.

Dimensions
733 x 102 x 733 mm



15047.60.NBA

Grab bar with three wall fixing points. Reversible position.

Dimensions
Length 600 mm



15047.80.NBA

Grab bar with three wall fixing points. Reversible position.

Dimensions
Length 800 mm



15070.NBA

Handle

Dimensions
Length 120 mm



15071.NBA

Single hook

Dimensions
95 x 85 x 102 mm

Foldable shower seats



15042.MOV.NBA

Removable folding shower seat with backrest

Dimensions
480 x 420 x 480 mm

Material
Antibacterial
Polypropylene.
AISI 304 stainless
steel wall fixations
Finish
WHITE (.W)



15065.S

Phenolic seat with wall support

Dimensions
388 x 456 x 420 mm

Material
AISI 304
Stainless steel
Finish
SATIN (.S)
POLISH (.B)
WHITE (.W)



New Generation Hand Dryers



PROBABLY
THE MOST POWERFUL
IN THE
WORLD

2
INJECTION
LINES

ANTI-
BACTERIA
MICROBAN®

ULTRA-FAST
DRYING
6 SECONDS



01305.W

Maximum hygiene hand dryer

CASING

ABS

POWER

1760 W

DIMENSIONS

617 x 300 x 195 mm

WEIGHT

9,55 Kg

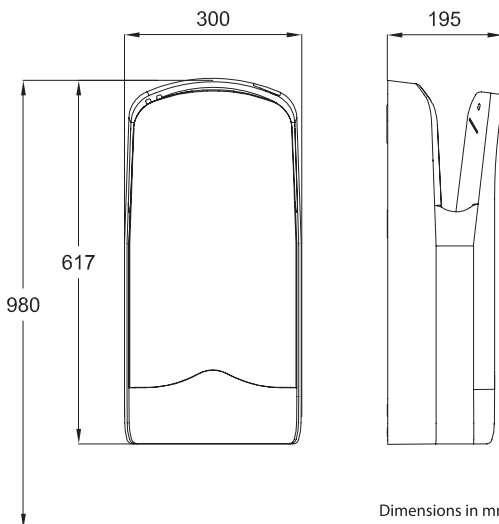
OPERATION

Automatic start when the user inserts hands in the drying area.

Ultra-fast drying system by high speed air currents. Mode of use: insert hands into the drying area, moving them up and down.

OPTIONALLY AVAILABLE

HEPA filter, ZeroSmell, ZeroSmell gel CK1 and Ion Shield



Dimensions in mm



Hand dryer with electronic sensor

POWER

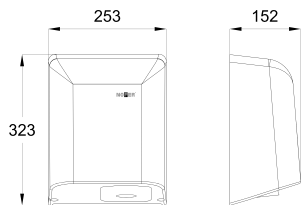
WEIGHT

800 W

4,9 Kg

DIMENSIONS

323 x 253 x 152 mm



1250

Dimensions in mm



01851.S

CASING

AISI 304 stainless steel.
Thickness 1,2 mm

CASING FINISH

SATIN



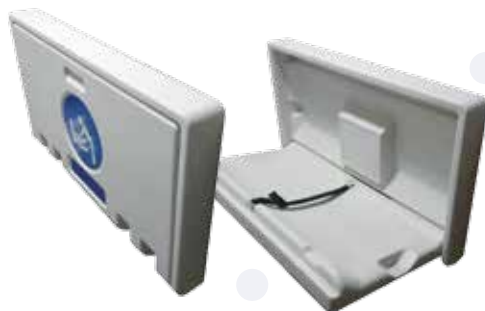
01851.W

CASING

Steel.
Thickness 1,2 mm

CASING FINISH

WHITE



09209

Wall mounted horizontal baby changing unit. Permanent antimicrobial protection

MATERIAL

High density polyethylene

DIMENSIONS

587 x 895 x 529 mm (open)

587 x 895 x 113 mm (closed)



09211

Wall mounted baby chair. Permanent antimicrobial protection

MATERIAL

High density polyethylene

DIMENSIONS

476 x 311 x 317 mm (open)

476 x 311 x 143 mm (closed)

KING KHALID AIRPORT SAUDI ARABIA



KEMPINSKI HOTEL CAIRO



ALEXANDRIA AIRPORT eGYPT



EMAAR SHOPPING MALL TURKEY - ISTAMBUL

Sanieuro Sdn Bhd
B-LG-2, Connaught Avenue, Jalan 9,
Taman Bukit Cheras, 56000
Kuala Lumpur, Malaysia.
Tel: +603 9108 2199
Fax: +603 9108 3199
E: sales@sanieuro.com
www.sanieuro.com

Novatec Sanitaryware Co., Ltd
343/25-26, Thanon Khlong Lam-Jiag,
Nuanchan, Buengkum, Bangkok,
10230, Thailand.
Tel: +602 1053401
Fax: +602 1053400
E: sales@novatecsanitaryware.com
www.novatecsanitaryware.com

Novatec Sanitaryware Lanka (Pvt) Ltd.
NO:9, Chilaw Road,
Dalupotha, Negombo,
Sri Lanka.
Tel: +94 31 2228223
Fax: +94 31 2223535
E: info@novateclanka.com
www.novateclanka.com

Sanieuro Myanmar Co., Ltd
No.12, Room 7, Parami Road,
Chaw Dwin Gone, Ma Yan Gone Township,
11061 Yangon, Myanmar.
Tel: +959 450 33 5111
Tel: +959 455 01 1698
E: salesmyanmar@sanieuro.com
www.novatecmyanmar.com

Business group:

